



Features

- H.264/H.265/H.264+/H.265+: Baseline, Main Profile, High Profile, MJPEG
- 4MP (2560×1440) @30fps or 25fps
- IP66 Protection
- AC24V/DC12V/POE
- Image Sensor: 1/1.8" CMOS, starlight level target surface.
- Lens: 3.6-11mm, 3x optical AF lens
- Min. Illumination: Color 0.001Lux, B/W 0 Lux with IR on
- 30M IR on
- Supports triple-stream encoding.
- Supports face detection and face captured with face database 100,000, 8 pictures by 1S. Face can be detected when the number of pixels between two eyes reaches more than 20 pixels, can detect up to 64 faces simultaneously.
- Advanced facial recognition with extraction display, such as age, gender etc.
- Intelligent video analytics available: face detection, face recognition, perimeter detection, trip wire detection and object left/lost.
- Smart Alarm: Smart Alarm: Motion detection, video blind, HDD error, HDD full, IP conflict, network disconnection.
- Built-in TF card slot; up to 256GB.
- 2ch Alarm-input, 2ch Alarm-output; 1ch Audio-input, 1ch Audio-output.
- 1ch RJ45 10M/100M auto adaptive



Specifications

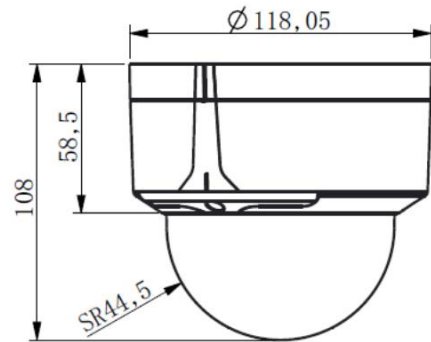
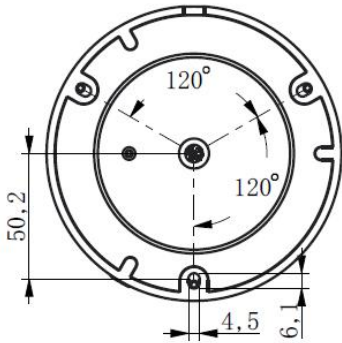
Model	DX-IPC4030PTFR-D
Camera	
Image Sensor	1 / 1.8"CMOS
Lens	3.6-11mm, 3x optical AF lens
Shutter	1/25~1/100000
Iris Type	Auto Iris
Min. Illumination	Color 0.001 lux; B/W 0 lux with IR
IR Distance	30M
Day&Night	Double filter switching, auto, timing, threshold control,flip
Digital Noise Reduction	3D Digital Noise Reduction
Image	
Video Compression	H.264/H.265/H.264+/H.265+:Baseline, Main Profile,High Profile, MJPEG
Output Bit Rate	64 Kbps~16Mbps
Resolution	2560×1440, 2304×1296,1920×1080,1280×720, D1, CIF
Main Stream	PAL:(2560×1440,2304×1296,1920 × 1080,1280 × 720)25fps ; NTSC: (2560×1440,2304×1296,1920 × 1080,1280 × 720)30fps.
Sub Stream	PAL: (720×576, 352×288) 25fps; NTSC: (720×480, 352×240) 30fps.
Third Stream	PAL: (1280×720, 720×576, 352×288) 25fps; NTSC: (1280×720, 720×480, 352×240) 30fps.
WDR	120dB.
Image Settings	ROI, Saturation, Brightness, Contrast, Sharpen etc. adjustable through client software or web browser
ROI	4 ROI, each ROI to be configured separately
Audio Compression	G.711A、 AAC、 G711U、 G726
Audio Compression Rate	8/16Kbps
Face	
Face Detection	Up to 64 faces can be detected in one image.
Face Detection	Support Pupil Distance(PD) ≥20 pixel
Face Capture	8 pictures by 1S , the times of face snapshots can be set.
Face Comparison	Support 100,000 faces database.
Face Database	Support up to 16 face libraries management(W/B list), with totally



	100,000 pictures can be set.
Intelligent analytics	Face detection, face recognition, perimeter detection, trip wire detection and object left/lost detection.
Smart Alarm	Smart Alarm: Motion detection, video blind, HDD error, HDD full, IP conflict, network disconnection.
Network	
Protocols	TCP/IP, ICMP, HTTP, HTTPS, FTP, DHCP, DNS, DDNS, RTP, RTSP, RTCP, PPPoE, NTP, UPnP, SMTP, RTMP, IPV6. MTU
Access Protocols	ONVIF, GB/T28181, active registration.
Network Function	Password protection, heartbeat, user access black and white list, offline local storage on SD card, up to 20 user-access at the same time. And the video stream will continue to be uploaded when the network recovers from the interruption.
Interface	
Network	1x RJ 45 10M/100M auto adaptive
RS485	1
Storage	Built-in TF card slot; up to 256GB (Class 10)
Alarm	2CH alarm input, 2CH alarm output.
Audio	1CH audio input, 1CH audio output.
Reset	Yes
Others	
Power Supply	AC 24V / DC 12V / POE
Power Consumption	< 10W
Operating Environment	- 20 °C ~ 60°C Humidity: less than 95 % (non- condensing)
Dimensions (mm)	118.05*108mm
Weight (net)	Approx.0.7KG(without power adapter)
Protection Level	IP66



Dimensions



Interface Definition

- 1-RS485
- 2-Audio Input (Left and Right Channels)
- 3-Audio Output(Left and Right Channels)
- 4-Power Supply AC24V/DC12V
- 5-Alarm Input 2 channel
- 6-Alarm Output 2 channels
- 7-Network Interface/POE
- 8-Reset

